

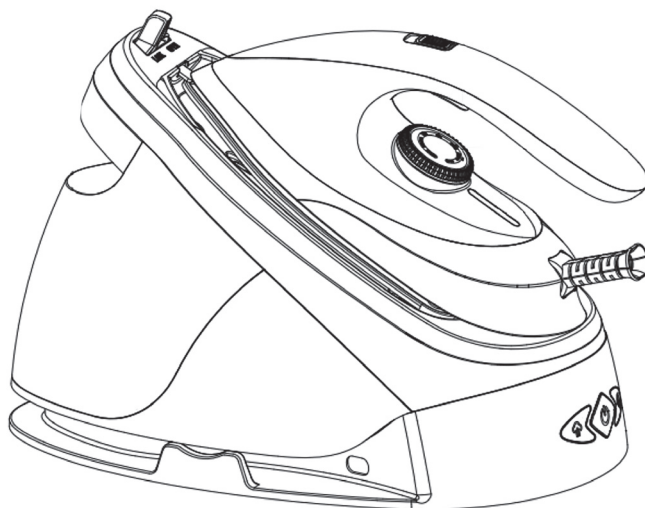
# SINGER®

## SGE-19700 STEAMFORCE

Refill steam generator

Refill σύστημα σιδερώματος ατμού

Ютия с парогенератор



GB INSTRUCTION MANUAL  
GR ΒΙΒΛΙΟ ΟΔΗΓΙΩΝ  
BG ИНСТРУКЦИИ ЗА ЕКСПЛОАТАЦИЯ

# SINGER®

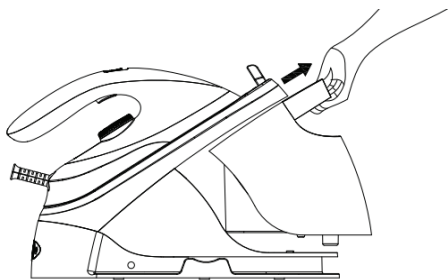


Fig.1

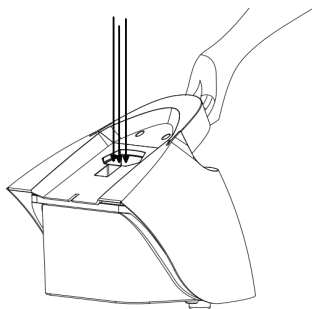


Fig.2

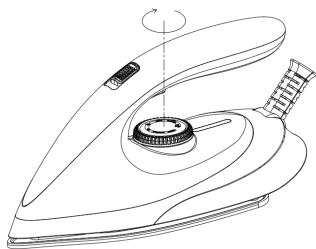


Fig.3

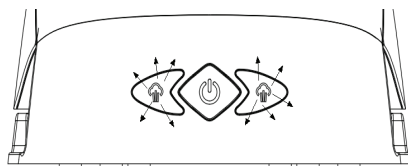


Fig.4

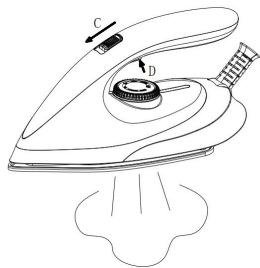


Fig.5

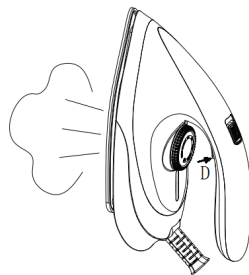


Fig.6


## IMPORTANT SAFEGUARDS

Before using the electrical appliance, basic precautions should always be followed including the following:

### **Read all instructions.**

1. Before using, check that the voltage of wall outlet corresponds to the one shown on the rating plate.
2. Do not use the appliance if the main cord, plug, light or the appliance itself shows visible damage, neither when the appliance has been dropped or is leaking. Take it to the nearest authorized service facility or a qualified repair agent for examination and repair in order to avoid any hazard.
3. Do not allow the cord to come in contact with the soleplate when this is hot.
4. Burns may occur from touching hot metal parts, hot water, or steam.
5. Do not let cord hang over the edge of table or any hot surface.
6. To protect against the risk of electric shock, never immerse the iron in water or other any other liquid. If this happens, do not use the appliance again. Dispose the appliance.
7. Keep the appliance out of the reach of children.
8. Do not leave the appliance unattended while connected to the power supply, or on an ironing board.
9. Always place or use the appliance on a stable and horizontal surface.
10. The use of any accessory not recommended by manufacturer may cause injuries to the person using the appliance or damage the appliance.
11. When placing the iron on its stand, ensure that the surface on which the stand is placed is stable.
12. The drain water cap must always be well closed during the use of the appliance.
13. Never fill the water tank with hot water, scent, vinegar, starch,

descaler, fabric softener or any other chemical reagent.

14. Unplug the appliance from wall outlet when not in use, before filling with water or cleaning it.
15. Do not use the appliance for any other purpose than its intended use.
16. This appliance can be used by children from 8 years old and above and persons with reduced physical, sensory or mental capabilities or lack of experience and knowledge if they have been given supervision or instruction concerning how to use the appliance in a safe way and understand the hazards involved.
17. Children shall not play with the appliance. Cleaning and maintenance shall not be made by children without supervision.
18. The iron must not be left unattended while it is connected to the mains supply.
19. The plug must be removed from the socket-outlet before the water reservoir is filled with water.
20. The iron must be used and rested on a stable surface.
21. The iron is not to be used if it has been dropped, if there are visible signs of damage or if it is leaking.
22. Keep the iron and its cord out of reach of children less than 8 years of age when it is energized or cooling down.
23. Do not use this appliance outdoors.
24. Do not touch the surfaces marked with symbol  during or just after ironing. It is hot!

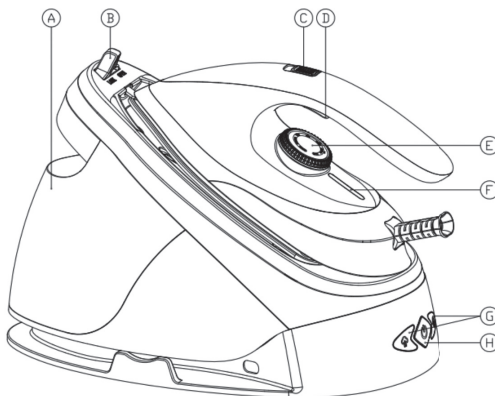
**FOR HOUSEHOLD USE ONLY**

## SERVICE & REPAIR

1. For service or repair under warranty, please contact the authorized service company that is mentioned on the guarantee card that accompanies the product.
2. Do not operate any product with a damaged cord or plug. If the supply cord is damaged, return the appliance to a SINGER service center for examination repair or adjustment. Do not attempt to dismantle any part of the appliance. This should only be done at an authorized SINGER service centre.
3. The partial or total non-respect of the safety instructions in the present instruction manual will automatically release Singer of any type of responsibility in case of malfunction of the machine or injuries to persons or animals.
4. In case of manipulation, repairing or any modification of the machine made by unqualified persons or in case of improper use, the guarantee will be automatically cancelled.

## KNOW YOUR STEAM STATION

- A. Water tank
- B. Iron lock
- C. Steam button lock
- D. Steam button
- E. Temperature knob
- F. Heating lamp
- G. Steam lamp
- H. ON/OFF Power switch



## BEFORE FIRST USE

1. Remove any sticker, protective foil or storage cover from the soleplate.
2. Put the power cable into the socket.

**Note:** Make sure the voltage which is indicated on the device matches the local voltage before connecting the device.

3. Place your steam generator on a stable, horizontal heat-resistant surface.
4. Never use the steam generator when water tank is empty, refill it before use it again.
5. Always make sure the continuous steam button is in the off position before you will turn on the appliance. Only use the steam functions when the appliance is preheated otherwise the water will not evaporate and the appliance will leak water.
6. Heat up the iron to maximum temperature and iron over a piece of damp cloth for several minutes for the purpose of removing any residue on the soleplate according to the section of **Steam ironing**.

**NOTE:** It is normal that strange odor comes out from the unit for the first use. This will cease after a short while.

**NOTE:** Some particles may come out of the soleplate when you use the iron for the first time. This is normal; the particles are harmless and stop coming out of the iron after a short while.

**NOTE:** When you switch on the appliance, the steam generator may produce a pumping sound. This is normal; the sound tells you that water is pumped into the steam generator.

**NOTE:** During the heating process of the soleplate, there will be little steam coming out from the soleplate automatically and this phenomenon will continue for about 3 seconds, this is normal.

## USING YOUR STEAM STATION

The appliance has following ironing option: dry, vertical or steam ironing, the details are referred below:

### Dry ironing

1. Place the steam station on a stable and horizontal surface.
2. Connect the plug to wall outlet select from the continuous steam button lock (C) dry ironing (without steam) and press down the ON/OFF Power switch (H).
3. Turn the temperature switch (E) to your desired setting, which depends on the fabric of garment, and then the temperature indicator will illuminate. Refer to IRONING TIPS. The iron starts heating.
4. When the temperature indicator turns off, the selected temperature is reached. You can now start ironing.

**WARNING:** Never touch the hot soleplate before cooling down!

### Vertical ironing

It is possible to iron hanging curtains and clothes on a hanger, etc. To do so:

1. Select the maximum iron temperature, turning the iron temperature knob clockwise (Fig. 3).
2. Move the iron from top to bottom, having enabled the constant steam button (D).

**IMPORTANT:** Place the iron base in contact with the fabric for cotton and linen. Keep the iron base a few centimeters away for other more delicate fabrics.

### Steam ironing

#### Filling the water tank

1. The appliance must be unplugged.
2. Place the steam station on a stable and horizontal surface.

3. Take out the water tank and fill it with water (Fig. 1 & Fig. 2).
4. The max capacity of water tank is 1,8L, the water level shall not exceed the MAX mark.

### Steam ironing

1. We recommend you filling water tank (A) before steam ironing.
2. Connect the plug to the wall outlet, press down the On/Off Power switch (H).
3. The power light will illuminate. Turn temperature switch to your desired setting, which is depended on the fabric of garment (Fig.3). Then the heating indicator will illuminate (Fig. 4). Refer to IRONING TIPS

TEMPERATURE ADJUSTMENT POSITION	TYPE OF FABRIC	STEAM
•	Nylon, silk, synthetic fibers	NO
<b>ECO</b>	<b>ECO</b>	YES (weak)
••	Wool	YES
•••	Cotton	YES
<b>MAX</b>	Linen	YES
<b>TURBO</b>	Linen	YES (strong)
<b>SELF CLEAN</b>	/	YES
<b>Off</b>	/	NO
<b>Anti-drip system: result no water runs at temperature settings below ECO, where no steam is emitted.</b>		

4. Wait until the heating indicator light (F) goes out; it indicates the soleplate temperature has reached the selected temperature.
5. Open lock B and take out the iron.
6. According to your requirement, you can select the desired steam output for each garment. Make sure that there is enough water in the tank. When pressing steam button (D) for the first time, a little water may drip from the soleplate due to initial thermal instability.
7. To obtain a constant jet of steam, press the steam button (D) or lock steam control (C) (Fig. 5).
8. The appliance will then be ready to start ironing. The steam ready light (G) (Fig.4) will then switch on and off automatically as the steam is used. Slight noise will also sometimes be heard, which is caused by the pump refilling the water tank. Continue ironing normally.



**Caution:** 1) Do not touch hot soleplate before cooling down!

2) Never direct steam at people!

9. After ironing, press down the On/Off switch for a while and the appliance will be turned off, all the indicators will be extinguished. Remove the plug from the wall socket. But the soleplate is still hot, never touch it.
10. After cooling down, you can place the iron onto the thermal insulating cushion.

**Caution:** During the operation or after finishing ironing, never place the hot soleplate on any area except the thermal insulating cushion.

## REPLACEMENT OF FILTER

**Caution:** Disconnect the appliance from the power supply and allow the **appliance to cool down for 60 minutes at least, before storing in a clean and dry place.**

Follow the procedure below to replace the filter:

- I. Open the cap on the insulating cushion base and take out the filter from the water tank.
- II. Replace it with a new one by putting it into the water tank.
- III. Fill water into the water tank up to the MAX fill level.

## ANTI-SCALE SYSTEM

1. The filter is designed to reduce the build-up of lime scale which occurs during steam ironing. This will prolong the life of your steam station. However, note that the filter will not completely stop the natural process of lime scale build-up.
2. The filter should be replaced with a new one after about a 12 month use. The working life of the filter depends on the type of local water used. If you exceed the working life of the filter, you can continue to use the appliance, but lime scale will be built up in the steam chamber. It is proposed to replace it with a new filter as soon as possible.

## SELF-CLEANING

**Caution:** During this process hot water, lime and other particles will come out from the soleplate. Put soleplate horizontally and place a container under the

soleplate to hold hot water.

**Caution:** Self-cleaning function should be repeated after 10 working (ironing) hours to improve the effectiveness of steam and prolong the boiler life of your product.

**Caution:** Do not iron any clothes during the self-cleaning procedure.

1. By turning the temperature setting (E) clockwise select SELF CLEAN. Activate the steam lock button (C).
2. The process will automatically finish after 90 seconds when the signal warning sound stops.

## REDUCE LIMESCALE

You can reduce the formation of limescale by using the household descale for cleaning steam generators SINGER CALC OUT (follow directions on the packaging).

You can find SINGER CALC OUT in authorized SINGER service centers.

## CLEANING AND MAINTENANCE

Before cleaning, firstly disconnect the power outlet and let the appliance cool down.

1. Empty the boiler above a sink and rinse it a few times with clear water. Wipe flakes and any other deposits on the soleplate with a damp cloth or a non-abrasive (liquid) cleaner.

**NOTE:** Do not use chemical, steel, wooden or abrasive cleaners to scrape the soleplate.

2. Clean the upper part of iron with a soft damp cloth. Wipe the water drop on the steam generator and the thermal insulating cushion with dry cloth.
3. To not damage the soleplate, we advise you never to put the soleplate on a metal surface. Clean your steam generator after every 10 times of use.
4. When do not use the appliance for a long time, pour out the water in the tank, and store the iron on the thermal insulating cushion.

### Type of water to use

You can use normal tap water to fill the tank. Therefore, especially if your tap water is very hard, we advise you to mix it with distilled water or use distilled

water only. We advise you to empty the water tank after use.

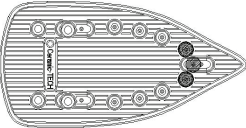
Do not add anything to the contents of the boiler and do not use water from clothes dryers, scented or softened water, water from refrigerators, batteries, air conditioners and rain water.

These contain organic waste or mineral elements that become concentrated when heated and cause brown staining or premature wear to the steam generator. Use of these types of water will negate the guarantee provided with the product.

## IRONING TIPS

- Always check first whether a label with ironing instructions is attached to the article. Follow these ironing instructions in any case.
- The iron heats up quicker than cooling down; therefore, you should start ironing the articles requiring the lowest temperature such as those made of synthetic fiber.
- If the fabric consists of various kinds of fibers, you must always select the lowest ironing temperature to iron the composition of those fibers.
- Silk and other fabrics that are shiny should be ironed on the inner side. Velvet and other textures that rapidly become shiny should be ironed in one direction with light pressure applied. Always keep the iron moving.
- Pure wool fabrics (100% wool) may be ironed with the steam iron. Preferably set temperature dial to the maximum position for wool and use a dry cloth as a mat.
- Never iron over zip, rivet in the cloth. This will damage the soleplate. Iron around of any other object as that.

**NOTE:** When ironing woolen fabrics, shining of the fabric may occur. So, it is suggested that you should turn the article inside out and iron the reverse side.

PROBLEM	CAUSES	REMEDIES
Water comes out of the holes in the soleplate when pressing the steam button (D).	Iron temperature adjustment (E) at minimum “●” “● ●”	Turn the thermostat control to the steam zone “● ● ●”
	Tank too full.	Remove water from tank
Limescale appears on the soleplate	There is too much limescale inside the tank	Clean the appliance.
Steam does not come out when the steam button (D) is pressed.	The tank is empty.	Fill the water tank
	Constant steam control on lower position	Control at higher position
Some noise comes from inside the tank when it is switched on.	The appliance is cold (the noises are caused by the tank dilating).	This is normal. It will stop after a few minutes.
 <p>Just black hole will come out steam when appliance working.</p>		



**Disposal of old Electrical & Electronic Equipment (Applicable in the European Union and other European countries with separate collection systems).**

This symbol on the product or on its packaging indicates that this product shall not be treated as household waste. Instead it shall be handed over to the applicable collection point for the recycling of electrical and electronic equipment. By ensuring this product is disposed of correctly, you will help prevent potential negative consequences for the environment and human health, which could otherwise be caused by inappropriate waste handling of this product. The recycling of materials will help to conserve natural resources. For more detailed information about recycling of this product, please contact your local city office, your household waste disposal service or the shop where you purchased the product.

**DECLARATION OF CONFORMITY**

Herewith, G. E. DIMITRIOU S.A. states that this product, complies with the requirements of below European directives:

EMC Directive: 2014 / 30 / EU

LVD - Low Voltage Directive: 2014/ 35 / EU

ROHS Directive: 2011 / 65 / EU

**ΣΗΜΑΝΤΙΚΕΣ ΟΔΗΓΙΕΣ ΑΣΦΑΛΕΙΑΣ**


Πριν από τη χρήση της συσκευής, διαβάστε και ακολουθήστε τις παρακάτω οδηγίες ασφαλείας:

**Διαβάστε όλες τις αναγραφόμενες οδηγίες.**

1. Πριν από τη χρήση, ελέγξτε ότι η ισχύς που αναγράφεται στη βάση της συσκευής αντιστοιχεί με αυτή του τοπικού δικτύου ηλεκτρικού ρεύματος.
2. Μη χρησιμοποιείτε τη συσκευή αν το καλώδιο, το φως, η λυχνία ή η ίδια η συσκευή έχουν εμφανή σημάδια φθοράς, σε περίπτωση πτώσης ή διαρροής της συσκευής. Απευθυνθείτε για έλεγχο και επισκευή στο πλησιέστερο εξουσιοδοτημένο κατάστημα σέρβις ή σε επαγγελματία ηλεκτρολόγο προκειμένου να αποφευχθεί κάθε κίνδυνος.
3. Αποφύγετε με κάθε τρόπο την επαφή της πλάκας του σίδερου με τα καλώδια ρεύματος όταν είναι ζεστή.
4. Σε περίπτωση επαφής με τα μεταλλικά ζεστά μέρη της συσκευής, το ζεστό νερό ή τον ατμό, υπάρχει κίνδυνος εγκαυμάτων.
5. Μην αφήνετε τα καλώδια να κρέμονται από την άκρη του τραπεζιού ή από άλλη θερμή επιφάνεια.
6. Μη βυθίζετε τη συσκευή σε νερό ή οποιοδήποτε άλλο υγρό καθώς υπάρχει κίνδυνος ηλεκτροπληξίας. Εάν αυτό συμβεί, δε θα πρέπει να χρησιμοποιήσετε ξανά τη συσκευή. Απορρίψτε την στους ειδικούς κάδους ανακύκλωσης.
7. Κρατήστε τη συσκευή μακριά από παιδιά.
8. Μην αφήνετε τη συσκευή χωρίς επίβλεψη όταν είναι συνδεδεμένη στο ρεύμα ή βρίσκεται επάνω στη σιδερώστρα.
9. Πάντα να τοποθετείτε ή να χρησιμοποιείτε τη συσκευή σε σταθερή και οριζόντια επιφάνεια.
10. Η χρήση εξαρτημάτων που δεν συνιστώνται από τον κα-

τασκευαστή μπορεί να έχει ως αποτέλεσμα τον τραυματισμό του χρήστη ή τη φθορά στη συσκευή.

11. Κατά την τοποθέτηση της συσκευής στη βάση της, βεβαιωθείτε ότι η επιφάνεια στην οποία βρίσκεται η βάση της συσκευής είναι σταθερή.
12. Κατά τη χρήση της συσκευής το καπάκι του δοχείου νερού θα πρέπει να είναι κλειστό.
13. Μη γεμίζετε το δοχείο νερού με ζεστό νερό, αρωματικό νερό, ξύδι, υγρό κολλαρίσματος, διάλυμα αφαλάτωσης, μαλακτικό ρούχων ή άλλο χημικό υγρό.
14. Αποσυνδέστε το φιλτράρισμα από την πρίζα όταν δεν χρησιμοποιείτε τη συσκευή, πριν από το γέμισμα της δεξαμενής νερού ή τον καθαρισμό.
15. Μη χρησιμοποιείτε τη συσκευή για άλλη από την προβλεπόμενη χρήση της.
16. Η χρήση της συσκευής επιτρέπεται σε παιδιά ηλικίας 8 ετών και άνω καθώς και σε άτομα με μειωμένη αντίληψη και περιορισμένες σωματικές και πνευματικές ικανότητες ή με ανεπαρκή εμπειρία και γνώση υπό την προϋπόθεση ότι επιβλέπονται ή τους έχουν δοθεί σαφείς οδηγίες σχετικά με τον ασφαλή τρόπο χρήσης της συσκευής και έχουν κατανοήσει τους εμπλεκόμενους κινδύνους.
17. Επιβλέπετε τα παιδιά και βεβαιωθείτε ότι δεν παίζουν με τη συσκευή. Ο καθαρισμός και η συντήρηση της συσκευής δε θα πρέπει να γίνεται από τα παιδιά χωρίς επιτήρηση.
18. Η συσκευή δε θα πρέπει να παραμένει χωρίς επίβλεψη όταν είναι συνδεδεμένη στο ρεύμα.
19. Πριν γεμίσετε το δοχείο με νερό, αποσυνδέστε το φιλτράρισμα από την πρίζα.
20. Το σίδερο πρέπει να χρησιμοποιείται και να τοποθετείται πάνω σε σταθερή, επίπεδη επιφάνεια.

21. Μη χρησιμοποιείτε τη συσκευή μετά από πτώση, διαρροή ή εάν υπάρχουν εμφανή σημάδια βλάβης.
22. Κρατήστε το σίδερο και το καλώδιο του μακριά από παιδιά ηλικίας κάτω των 8 ετών όταν η συσκευή βρίσκεται σε λειτουργία ή μέχρι η συσκευή να κρυώσει πλήρως.
23. Μη χρησιμοποιείτε τη συσκευή σε εξωτερικούς χώρους.
24. Μην ακουμπάτε τις επιφάνειες με το σύμβολο  κατά τη διάρκεια του σιδερώματος ή αμέσως μετά το σιδερώμα. Είναι καυτή!

## ΤΟ ΠΡΟΪΟΝ ΠΡΟΟΡΙΖΕΤΑΙ ΜΟΝΟ ΓΙΑ ΟΙΚΙΑΚΗ ΧΡΗΣΗ

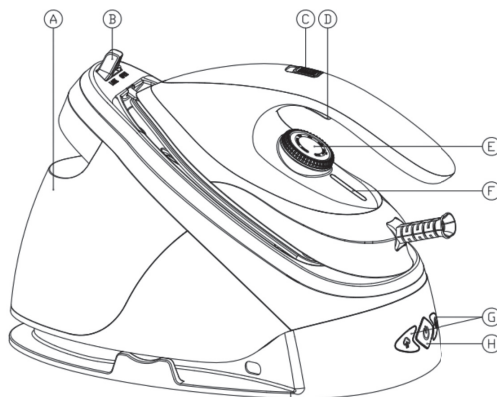
### ΣΥΝΤΗΡΗΣΗ & ΕΠΙΣΚΕΥΗ

1. Για συντήρηση ή επισκευή εντός εγγύησης, παρακαλούμε επικοινωνήστε με τα στοιχεία της εταιρίας service που αναφέρονται στο φύλλο εγγύησης που συνοδεύει το προϊόν.
2. Μην λειτουργείτε τη συσκευή με φθαρμένο καλώδιο ή πρίζα, εάν το προϊόν δυσλειτουργεί ή έχει πέσει ή έχει υποστεί βλάβη με οποιονδήποτε τρόπο. Θα πρέπει να απευθυνθείτε σε ένα Εξουσιοδοτημένο Κατάστημα Σέρβις της SINGER ή να επικοινωνήσετε με το Κέντρο Εξυπηρέτησης Πελατών της SINGER. Μην επιχειρήσετε να αποσυναρμολογήσετε οποιοδήποτε εξάρτημα της συσκευής. Αυτό μπορεί να γίνει μόνο από ένα Εξουσιοδοτημένο Κατάστημα Σέρβις της SINGER.
3. Η μη τήρηση αυτών των κανονισμών και υποδείξεων που περιγράφονται στο παρόν εγχειρίδιο απαλλάσσει τη Singer από κάθε ευθύνη σε περίπτωση κακής λειτουργίας ή πρόκλησης βλάβης σε άτομα, ζώα, κλπ.
4. Η κακή χρήση ή παρέμβαση από το χρήστη που δεν επιτρέπονται, ακυρώνουν αυτομάτως την εγγύηση του προϊόντος.



## ΠΕΡΙΓΡΑΦΗ ΣΥΣΚΕΥΗΣ

- A. Δοχείο νερού
- B. Κλείδωμα σίδερο
- C. Διακόπτης κλειδώματος ατμού
- D. Διακόπτης ατμού
- E. Δείκτης ρύθμισης θερμοκρασίας
- F. Λυχνία θερμοκρασίας
- G. Λυχνία ατμού
- H. ON/OFF Διακόπτης-Λυχνία λειτουργίας



## ΠΡΙΝ ΑΠΟ ΤΗΝ ΠΡΩΤΗ ΧΡΗΣΗ

1. Αφαιρέστε οποιοδήποτε αυτοκόλλητο ή άλλο προστατευτικό από το σίδερο ή από την πλάκα.
2. Βάλτε το καλώδιο τροφοδοσίας στην πρίζα. Σημείωση: Βεβαιωθείτε ότι η τάση που υποδεικνύεται στη συσκευή ταιριάζει με την τοπική τάση πριν συνδέσετε τη συσκευή.
3. Τοποθετήστε τη γεννήτρια ατμού σε σταθερή, οριζόντια, ανθεκτική στη θερμότητα επιφάνεια.
4. Ποτέ μην χρησιμοποιείτε τη γεννήτρια ατμού όταν η δεξαμενή νερού είναι άδεια, ξαναγεμίστε την πριν τη χρησιμοποιήσετε ξανά.
5. Βεβαιωθείτε ότι το κουμπί συνεχούς ατμού βρίσκεται στη θέση απενεργοποίησης πριν ενεργοποιήσετε τη συσκευή. Χρησιμοποιείτε μόνο τις λειτουργίες του ατμού όταν προθερμαίνεται η συσκευή, διαφορετικά το νερό δεν θα εξατμιστεί και η συσκευή θα έχει διαρροή νερού.
6. Επιλέξτε τη μέγιστη θερμοκρασία και σιδερώστε για μερικά λεπτά, δοκιμαστικά, ένα κομμάτι ελαφρώς βρεγμένου υφάσματος για να απομακρύνετε τυχόν υπολείμματα από την πλάκα, όπως περιγράφεται στην παράγραφο «**Σιδέρωμα με ατμό**».

**ΣΗΜΕΙΩΣΗ:** Κατά την πρώτη χρήση, ενδέχεται να εξέλθει από τη συσκευή μια δυσάρεστη μυρωδιά. Αυτό είναι απόλυτα φυσιολογικό και θα σταματήσει μετά από λίγο.

**ΣΗΜΕΙΩΣΗ:** Κατά την πρώτη χρήση, ενδέχεται να εξέλθουν από την πλάκα ορισμένα σωματίδια. Αυτό είναι απόλυτα φυσιολογικό, τα σωματίδια είναι αβλαβή και θα σταματήσουν να βγαίνουν μετά από λίγο.

**ΣΗΜΕΙΩΣΗ:** Όταν ενεργοποιείτε τη συσκευή, ενδέχεται να ακουστεί ένας ήχος από τη γεννήτρια ατμού. Αυτό είναι απόλυτα φυσιολογικό και οφείλεται στην άντληση νερού από τη δεξαμενή νερού στη γεννήτρια ατμού.

**ΣΗΜΕΙΩΣΗ:** Κατά την προθέρμανση της πλάκας, θα εξέλθει από την πλάκα μια μικρή ποσότητα ατμού. Αυτό είναι απόλυτα φυσιολογικό και θα διαρκέσει περίπου 3 δευτερόλεπτα.

## ΧΡΗΣΗ ΤΟΥ ΣΥΣΤΗΜΑΤΟΣ ΣΙΔΕΡΩΜΑΤΟΣ

Η συσκευή διαθέτει τις παρακάτω επιλογές σιδερώματος, στεγνό, κάθετο και με ατμό σιδέρωμα. Δείτε παρακάτω τις λεπτομέρειες της κάθε επιλογής:

### Στεγνό σιδέρωμα

1. Τοποθετήστε το σύστημα σιδερώματος σε μια σταθερή και οριζόντια επιφάνεια.
2. Βάλτε το φισ στην πρίζα επιλέξτε από το διακόπτη συνεχούς ατμού (C) το στεγνό σιδέρωμα (χωρίς ατμό) και πιέστε το διακόπτη λειτουργίας ON/OFF (H).
3. Στρέψτε το διακόπτη επιλογής θερμοκρασίας (E) του σίδηρου στην επιθυμητή θέση ανάλογα με το είδος υφάσματος. Η ενδεικτική λυχνία θερμοκρασίας θα ανάψει. Ανατρέξτε στην παράγραφο «ΣΥΜΒΟΥΛΕΣ ΣΙΔΕΡΩΜΑΤΟΣ». Το σίδερο αρχίζει να θερμαίνεται.
4. Όταν η ενδεικτική λυχνία θερμοκρασίας σβήσει, η επιλεγόμενη θερμοκρασία έχει επιτευχθεί και μπορείτε να ξεκινήσετε το σιδέρωμα.

**ΠΡΟΣΟΧΗ:** Μην αγγίζετε την πλάκα του σίδηρου πριν κρυώσει!

## Κάθετο σιδέρωμα

Έχετε την δυνατότητα να σιδερώσετε τις κρεμασμένες κουρτίνες ή ρούχα που βρίσκονται σε κρεμάστρα. Για να επιτύχετε αυτό θα πρέπει:

1. Επιλέξτε τη μέγιστη θερμοκρασία του σίδερου, γυρίζοντας τη ρύθμιση θερμοκρασίας του σίδερου δεξιόστροφα (Εικ. 3).
2. Μετακινήστε το σίδερο από πάνω προς τα κάτω, έχοντας ενεργοποιήσει το κουμπί κλειδώματος ατμού (D).

**ΣΗΜΑΝΤΙΚΟ:** Τοποθετήστε τη βάση (πλάκα) του σίδερου σε επαφή με το ύφασμα για βαμβάκι και λινά. Για τα ευαίσθητα υφάσματα, κρατήστε τη βάση του σίδερου λίγα εκατοστά μακριά.

## Σιδέρωμα με ατμό

### Γέμισμα του δοχείου νερού

1. Η συσκευή πρέπει να είναι αποσυνδεδεμένη από το ρεύμα.
2. Τοποθετήστε το σύστημα σιδερώματος σε μια σταθερή και οριζόντια επιφάνεια.
3. Αφαιρέστε το δοχείο νερού και γεμίστε νερό (Εικ. 1 & Εικ. 2).
4. Η μέγιστη χωρητικότητα της δεξαμενής νερού είναι 1,8L, η στάθμη του νερού δεν πρέπει να υπερβαίνει τη σήμανση MAX.

### Σιδέρωμα με ατμό

1. Συνιστάται να γεμίσετε το δοχείο νερού (A) πριν ξεκινήσετε το σιδέρωμα με ατμό.
2. Βάλτε το φιν στην πρίζα και πιέστε το διακόπτη ON/OFF. Η ενδεικτική λυχνία λειτουργίας θα ανάψει.
3. Στρέψτε το διακόπτη επιλογής θερμοκρασίας του σίδερου στην επιθυμητή θέση ανάλογα με το είδος υφάσματος (Εικ. 3). Η ενδεικτική λυχνία θερμοκρασίας θα ανάψει. Ανατρέξτε στην παράγραφο «ΣΥΜΒΟΥΛΕΣ ΣΙΔΕΡΩΜΑΤΟΣ».

ΘΕΣΗ ΘΕΡΜΟΚΡΑΣΙΑΣ	ΤΥΠΟΣ ΥΦΑΣΜΑΤΟΣ	ΑΤΜΟΣ
•	ΜΕΤΑΞΩΤΑ, ΣΥΝΘΕΤΙΚΑ, ΝΑΥΛΟΝ	ΟΧΙ
ECO	ECO	ΝΑΙ (αδύναμος)
••	ΜΑΛΛΙΝΑ	ΝΑΙ
•••	ΒΑΜΒΑΚΕΡΑ	ΝΑΙ
MAX	ΛΙΝΑ	ΝΑΙ
TURBO	ΛΙΝΑ	ΝΑΙ (δυνατός)
SELF CLEAN	/	ΝΑΙ
Off	/	ΟΧΙ

**Anti-drip σύστημα αποφυγής σταξίματος: αποτέλεσμα δεν τρέχει νερό σε ρυθμίσεις θερμοκρασίας μικρότερες από ECO, όπου δεν εκπέμπεται ατμός.**

4. Όταν το σίδερο φτάσει στην επιθυμητή θερμοκρασία τότε η ενδεικτική λυχνία θερμοκρασίας (F) θα σβήσει, αυτό δείχνει ότι η θερμοκρασία της πλάκας έχει φτάσει στην επιλεγμένη θερμοκρασία.
  5. Απελευθερώστε το κλειδίωμα (B) και αφαιρέστε το σίδερο.
  6. Επιλέξτε την επιθυμητή παροχή ατμού ανάλογα με τον τύπο του υφάσματος. Βεβαιωθείτε ότι υπάρχει επαρκής ποσότητα νερού στη δεξαμενή. Όταν πιέζετε για πρώτη φορά το διακόπτη ατμού (D), μπορεί να χυθεί λίγο νερό από την πλάκα λόγω της αρχικής θερμικής αστάθειας.
  7. Για να επιτύχετε τη μέγιστη παροχή ατμού, πατήστε το διακόπτη ατμού (D) ή το διακόπτη κλειδώματος ατμού (C) (Εικ. 5).
  8. Στη συνέχεια η συσκευή θα είναι έτοιμη να ξεκινήσει το σιδέρωμα. Στη συνέχεια, η λυχνία ατμού (Εικ. 4) θα ενεργοποιηθεί και θα απενεργοποιηθεί αυτόματα καθώς χρησιμοποιείται ο ατμός. Θα ακούγεται μερικές φορές ελαφρύς θόρυβος, ο οποίος προκαλείται από την επαναπλήρωση της αντλίας νερού. Συνεχίστε το σιδέρωμα κανονικά.
- Προσοχή:** 1) Μην αγγίζετε την πλάκα του σιδήρου πριν κρυώσει!  
2) Μην κατευθύνετε τον ατμό σε ανθρώπους!
9. Όταν ολοκληρώσετε το σιδέρωμα, πιάστε το διακόπτη λειτουργίας ON/OFF μέχρι να απενεργοποιηθεί η συσκευή και να σβήσουν όλες οι ενδεικτικές λυχνίες. Αποσυνδέστε το φισ από την πρίζα. Μην αγγίζετε την πλάκα του σιδήρου καθώς παραμένει ζεστή.

10. Όταν η πλάκα του σίδηρου κρυώσει, τοποθετήστε τη συσκευή στη βάση της.

**Προσοχή:** Κατά τη διάρκεια της λειτουργίας ή μετά την ολοκλήρωση του σιδερώματος, τοποθετείτε το σίδερο στη βάση του και σε καμία περίπτωση σε οποιαδήποτε άλλη επιφάνεια

## ΑΝΤΙΚΑΤΑΣΤΑΣΗ ΤΟΥ ΦΙΛΤΡΟΥ

**Σημείωση:** Αποσυνδέστε τη συσκευή από το ρεύμα και αφήστε τη να κρυώσει για 60 λεπτά τουλάχιστον, πριν προχωρήσετε σε αντικατάσταση του φίλτρου.

Ακολουθήστε την παρακάτω διαδικασία για να αντικαταστήσετε το φίλτρο:

- I. Ανοίξτε το πώμα στη βάση στήριξης του σίδηρου και βγάλτε το φίλτρο από τη δεξαμενή νερού.
- II. Αντικαταστήστε το με ένα νέο τοποθετώντας το μέσα στη δεξαμενή νερού.
- III. Γεμίστε το νερό στη δεξαμενή νερού μέχρι το επίπεδο πλήρωσης MAX.

## ΣΥΣΤΗΜΑ ΚΑΤΑ ΤΩΝ ΑΛΑΤΩΝ

1. Το φίλτρο έχει σχεδιαστεί να μειώνει την δημιουργία αλάτων που προκαλούνται κατά τη διάρκεια του σιδερώματος με ατμό. Αυτό θα παρατείνει τη ζωή του συστήματος σιδερώματος. Ωστόσο, σημειώστε ότι το φίλτρο δε θα σταματήσει πλήρως τη φυσική διαδικασία δημιουργίας αλάτων.
2. Το φίλτρο θα πρέπει να αντικατασταθεί με ένα καινούργιο μετά το πέρας μιας φυσιολογικής χρήσης περίπου 12 μηνών. Η διάρκεια ζωής του φίλτρου εξαρτάται από τον τύπο του νερού που τοπικά χρησιμοποιείται. Εάν υπερβείτε τη διάρκεια ζωής του φίλτρου, μπορείτε να συνεχίσετε να χρησιμοποιείτε τη συσκευή, αλλά θα δημιουργηθούν άλατα στο θάλαμο ατμού. Προτείνουμε την αντικατάσταση του φίλτρου με ένα νέο όσο το δυνατόν πιο σύντομα.

## ΑΥΤΟ-ΚΑΘΑΡΙΣΜΟΣ

**Προσοχή:** Κατά τη διάρκεια αυτής της διαδικασίας θα βγουν ζεστό νερό, άλατα και άλλα σωματίδια από την πλάκα. Τοποθετήστε τη πλάκα της συσκευής οριζόντια και τοποθετήστε ένα δοχείο κάτω από την πλάκα για να κρατήσει το ζεστό νερό.

**Προσοχή:** Συνιστάτε η λειτουργία αυτο-καθαρισμού να επαναλαμβάνεται μετά από 10 ώρες εργασίας (σιδέρωμα), προκειμένου να βελτιωθεί η αποτελεσματικότητα του ατμού και να παραταθεί η διάρκεια ζωής του λέβητα του προϊόντος σας.

**Προσοχή:** Μην σιδερώνετε ρούχα κατά τη διαδικασία αυτο-καθαρισμού.

1. Γυρίζοντας το δείκτη ρύθμισης θερμοκρασίας (E) δεξιόστροφα επιλέξτε SELF CLEAN. Ενεργοποιήστε το κουμπί κλειδώματος ατμού (C).
2. Η διαδικασία θα ολοκληρωθεί αυτόματα μετά από 90 δευτερόλεπτα, όταν σταματήσει να ακούγεται ο προειδοποιητικός ήχος.

## ΠΡΟΣΤΑΣΙΑ ΑΠΟ ΤΑ ΑΛΑΤΑ

Μπορείτε να μειώσετε το σχηματισμό αλάτων χρησιμοποιώντας το οικιακό αποσκληρυντικό για συστήματα σιδερώματος SINGER CALC OUT (ακολουθήστε τις οδηγίες στη συσκευασία).

Μπορείτε να βρείτε το SINGER CALC OUT σε εξουσιοδοτημένα κέντρα εξυπηρέτησης SINGER.

## ΚΑΘΑΡΙΣΜΟΣ ΚΑΙ ΣΥΝΤΗΡΗΣΗ

Πριν τον καθαρισμό, αποσυνδέστε τη συσκευή από το ρεύμα και αφήστε την να κρυώσει.

1. Αδειάστε το δοχείο νερού πάνω από ένα νεροχύτη και ξεπλύνετε μερικές φορές με καθαρό νερό. Καθαρίστε τυχόν υπολείμματα αλάτων κλπ από την πλάκα με ένα υγρό, μαλακό πανί ή με ένα ήπιο (υγρό) καθαριστικό.

**ΣΗΜΕΙΩΣΗ:** Μην χρησιμοποιείτε χημικά, ξύλινα ή ισχυρά καθαριστικά για να ξύσετε την πλάκα.

2. Καθαρίστε το επάνω μέρος του σίδηρου με ένα μαλακό, υγρό πανί. Σκουπίστε με ένα στεγνό πανί τυχόν υπολείμματα νερού από τη

γεννήτρια ατμού και τη βάση του σίδηρου.

3. Για την αποφυγή φθοράς της πλάκας, προτείνουμε να μην ακουμπάτε την πλάκα σε μεταλλικές επιφάνειες. Καθαρίστε τη γεννήτρια ατμού μετά από κάθε 10 φορές χρήσης.
4. Όταν δεν πρόκειται να χρησιμοποιήσετε τη συσκευή για μεγάλο χρονικό διάστημα, αδειάστε το νερό από τη δεξαμενή και αποθηκεύστε το σίδηρο στην ειδική του βάση.

### Τύπος νερού προς χρήση

Μπορείτε να χρησιμοποιήσετε κανονικό νερό βρύσης για να γεμίσετε το δοχείο νερού. Επομένως, ειδικά εάν το νερό της βρύσης είναι πολύ σκληρό, σας συμβουλεύουμε να το αναμίξετε με αποσταγμένο νερό ή να χρησιμοποιήσετε μόνο αποσταγμένο νερό. Σας συμβουλεύουμε να αδειάσετε τη δοχείο νερού μετά τη χρήση.

Μην προσθέτετε τίποτα στο περιεχόμενο του δοχείου νερού και μην χρησιμοποιείτε νερό από στεγνωτήρια ρούχων, αρωματικά ή μαλακά νερά, νερό από ψυγεία, μπαταρίες, κλιματιστικά και βροχή. Αυτά περιέχουν οργανικά απόβλητα ή ανόργανα στοιχεία που συμπυκνώνονται όταν θερμαίνονται και προκαλούν καφέ κηλίδες ή πρόωρη φθορά στη γεννήτρια ατμού. Η χρήση αυτών των τύπων νερού αναιρεί την εγγύηση που παρέχεται με το προϊόν.

### ΣΥΜΒΟΥΛΕΣ ΣΙΔΕΡΩΜΑΤΟΣ

- Πριν από το σιδέρωμα να ελέγχετε και να ακολουθείτε τις οδηγίες σιδερώματος που αναγράφονται στην ετικέτα του ενδύματος.
- Το σίδηρο θερμαίνεται πιο γρήγορα απ' ό τι κρυώνει. Για το λόγο αυτό ξεκινήστε το σιδέρωμα των ρούχων που απαιτούν χαμηλότερη θερμοκρασία, όπως τα συνθετικά.
- Αν το ύφασμα αποτελείται από διάφορα είδη ινών, τότε θα πρέπει να επιλέγετε πάντα τη χαμηλότερη θερμοκρασία ώστε να σιδερωθεί κατάλληλα η σύνθεσή τους.
- Για την αποφυγή γυαλάδων, μεταξωτά και άλλα γυαλιστερά υφάσματα θα πρέπει να σιδερώνονται από την ανάποδη πλευρά.
- Υφάσματα όπως το βελούδο θα πρέπει να σιδερώνονται προς μια κατεύθυνση και χωρίς ιδιαίτερη πίεση της πλάκας επάνω στο ύφα-

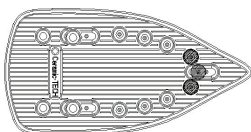
σμα. Η πλάκα δεν θα πρέπει να παραμένει παρά ελάχιστα δευτερόλεπτα επάνω στο ύφασμα.

- Τα μάλλινα υφάσματα (100% μαλλί) μπορούν να σιδερωθούν με ατμό. Είναι προτιμότερο να θέσετε τη μέγιστη θερμοκρασία για μάλλινα και να χρησιμοποιήσετε ένα στεγνό ύφασμα για προστασία.
- Για να αποφύγετε τη φθορά της πλάκας, μην ακουμπάτε επάνω σε φερμουάρ ή άλλα μεταλλικά στοιχεία των ρούχων. Σιδερώστε γύρω από τα συγκεκριμένα στοιχεία.

**ΣΗΜΕΙΩΣΗ:** Όταν σιδερώνετε μάλλινα υφάσματα, ενδέχεται να υπάρχουν γυαλάδες. Συνιστάται να τα σιδερώνετε από την ανάποδη πλευρά.

ΠΡΟΒΛΗΜΑ	ΑΙΤΙΑ	ΛΥΣΕΙΣ
Νερό βγαίνει από τις τρύπες της πλάκας όταν πιέζεις τον διακόπτη ατμού (D)	Ο διακόπτης θερμοκρασίας (E) είναι στο ελάχιστο “●” “●●”	Γυρίστε τον διακόπτη θερμοκρασίας στην ζώνη “●●●”
	Η δεξαμενή νερού είναι πολύ γεμάτη	Αφαιρέστε νερό από τη δεξαμενή νερού
Άλατα εμφανίζονται στην πλάκα του σίδηρου	Υπάρχουν πολλά άλατα μέσα στη δεξαμενή νερού	Καθαρίστε την συσκευή με ΑΥΤΟ-ΚΑΘΑΡΙΣΜΟ
Ο ατμός δεν βγαίνει όταν πατηθεί ο διακόπτης ατμού (D)	Η δεξαμενή νερού είναι άδεια	Γεμίστε την δεξαμενή νερού
	Ο διακόπτης συνεχούς ατμού είναι στη μικρότερη θέση	Γυρίστε τον διακόπτη συνεχούς ατμού (G) στη μεγαλύτερη θέση
Ελαφρύς θόρυβος ακούγεται από το εσωτερικό της δεξαμενής όταν είναι ενεργοποιημένη	Η συσκευή είναι κρύα (ο θόρυβος προκαλείται από τη διαστολή της δεξαμενής)	Είναι φυσιολογικό. Θα σταματήσει μετά από λίγα λεπτά





Μόνο από τις μαύρες τρύπες βγαίνει ατμός όταν η συσκευή λειτουργεί.



**Αποκομιδή Παλαιού Ηλεκτρικού & Ηλεκτρονικού Εξοπλισμού (Ισχύει στην Ευρωπαϊκή Ένωση και άλλες Ευρωπαϊκές χώρες με συστήματα επιλεκτικής συλλογής απορριμμάτων).**

Το σύμβολο αυτό επάνω στο προϊόν ή στη συσκευασία του σημαίνει ότι το προϊόν δεν πρέπει να πεταχτεί μαζί με τα οικιακά απορρίμματα αλλά πρέπει να παραδοθεί σε ένα κατάλληλο σημείο συλλογής ηλεκτρικού και ηλεκτρονικού υλικού προς ανακύκλωση. Εξασφαλίζοντας τη σωστή αποκομιδή του προϊόντος βοηθάτε στην πρόληψη πιθανών αρνητικών επιπτώσεων στο περιβάλλον και την υγεία. Η ανακύκλωση των υλικών θα βοηθήσει στην εξοικονόμηση φυσικών πόρων. Για περισσότερες πληροφορίες σχετικά με την ανακύκλωση αυτού του προϊόντος, παρακαλούμε επικοινωνήστε με τις υπηρεσίες καθαριότητας του δήμου σας ή το κατάστημα όπου αγοράσατε το προϊόν.

### **ΔΗΛΩΣΗ ΣΥΜΜΟΡΦΩΣΗΣ**

Με την παρούσα, η Γ. Ε. ΔΗΜΗΤΡΙΟΥ Α.Ε.Ε., δηλώνει ότι η παρούσα συσκευή συμμορφώνεται προς τις ουσιώδεις απαιτήσεις και τις λοιπές διατάξεις των παρακάτω Ευρωπαϊκών οδηγιών:

EMC Directive: 2014 / 30 / EU

LVD - Low Voltage Directive: 2014/ 35 / EU

ROHS Directive: 2011 / 65 / EU

## ВАЖНИ ИНСТРУКЦИИ ЗА БЕЗОПАСНОСТ

Преди да използвате електрическия уред, трябва да се спазват основни предпазни мерки, включително следните:

### Прочетете всички инструкции.

1. Проверете дали напрежението, отбелязано върху табелката с технически характеристики отговаря на това, на електрическата Ви мрежа.
2. Не използвайте уреда, ако кабела, щепсела или самият уред имат установена повреда, особено ако уреда е изпускан или тече. За да се избегне всякаква опасност, занесете го до оторизиран сервиз на SINGER за проверка и ремонт.
3. Пазете кабела далеч от нагорещени повърхности.
4. Пазете се от плочата на ютията, топлата вода и парата.
5. Не оставяйте кабела да виси от ръба на масата в близост до нагорещени повърхности.
6. За да избегнете опасност от токов удар, никога не потапяйте ютията във вода или друга течност. Ако това се случи, не използвайте уреда отново. Занесете уреда в сервиз.
7. Дръжте уреда далеч от деца.
8. Не оставяйте уреда без надзор, докато е включен към електрическата мрежа и е върху дъската за гладене.
9. Винаги поставяйте уреда на стабилна хоризонтална повърхност.
10. Производителя не препоръчва използването на аксесоари, те могат да причинят наранявания на човека докато използва уреда както и самият уред да се повреди.
11. Когато поставите ютията на поставката уверете се, че повърхността на която сте я поставили е стабилна.
12. Капачката на водата трябва винаги да бъде добре

затворена по време на използване на уреда.

13. Никога не пълнете резервоара за вода с гореща вода, аромат, оцет, кола, антикалциращ препарат, омекотител или друг химичен реагент.
14. Извадете уреда от контакта, когато не го използвате, преди да наливате вода или при почистване.
15. Използвайте уреда по предназначение, не и за други цели.
16. Този уред може да се използва от деца на възраст от 8 години и на-горе, лица с намалени физически, сетивни или умствени способности или липса на опит и познания, ако са под наблюдение и им е дадена инструкцията за ползване на уреда по безопасен начин, за да разберат опасностите.
17. Децата не трябва да си играят с уреда. Почистването и поддръжката, не се извършва от деца без надзор.
18. Не оставяйте ютията без надзор, докато е включена в електрическата мрежа.
19. Щепселът трябва да се извади от контакта, преди резервоара за вода да бъде напълнен.
20. Ютията трябва да се използва и оставя върху стабилна повърхност.
21. Ютията не трябва да се използва ако е била изпускана , има следи от повреда или теч.
22. Дръжте ютията и кабела далеч от достъпа на деца под 8-годишна възраст, когато е под напрежение или се охлажда.
23. Не използвайте уреда на открито.
24. Не пипайте нагорещените повърхности, обозначени с



по време или непосредствено след употреба на уреда. Те са горещи могат да причинят изгаряне!

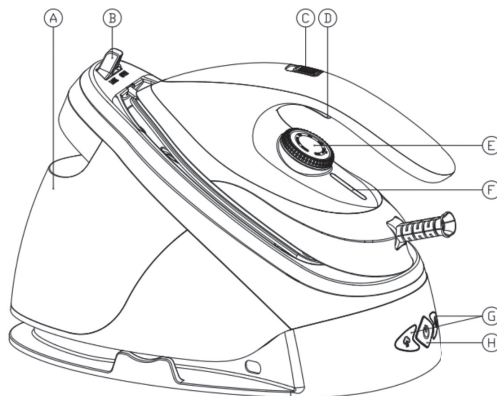
## **САМО ЗА ДОМАШНА УПОТРЕБА**

### **СЕРВИЗ & ПОПРАВКА**

1. За обслужване или ремонт в гаранция, моля свържете се с оторизиран сервиз на SINGER, който е упоменат в гаранционната карта, която придружава продукта.
2. Не използвайте никога уреда, ако кабелът или щепсела са повредени, ако не работи нормално или е показал друга повреда. Не се опитвайте да разглобявате някоя част от уреда. Това трябва да се извършва само в оторизиран сервиз на SINGER.
3. Неспазването на тези инструкции освобождават SINGER от всяка отговорност за причинени щети и травми върху хора и животни.
4. В случай на манипулиране, ремонт или всяка модификация на уреда, направена от неквалифицирани лица или в случай на неправилна употреба, гаранцията ще бъде автоматично анулирана.

## ЗАПОЗНАВАНЕ С ПАРНАТА СИСТЕМА

- A. Резервоар
- B. Заклучващ механизъм
- C. Бутон за спиране на парата
- D. Бутон за пара
- E. Терморегулатор
- F. Светлинен индикатор - температура
- G. Светлинен индикатор - пара
- H. ON/OFF Превключвател



## ПРЕДИПЪРВАУПОТРЕБА

1. Премахнете всички видове стикери, предпазното фолио и капака за съхранение на гладачната плоча.
2. Включете кабела в контакта.

**Бележка:** Уверете се, че напрежението, което е посочено на устройството, съответства на местното напрежение, преди да свържете устройството.

3. Поставете парогенератора върху стабилна, хоризонтална, устойчива на топлина повърхност.
4. Никога не използвайте парогенератора, когато резервоарът за вода е празен, заредете го отново, преди да го използвате отново.
5. Винаги се уверявайте, че бутонът за постоянна пара е в положение "изключено", преди да включите уреда. Използвайте функциите на пара само когато уредът е предварително загрят, в противен случай водата няма да се изпари и от уреда ще изтече вода.
6. Загрейте ютията до максимална температура и гладете върху парче влажен плат за няколко минути с цел отстраняване на всякакъв вид остатъчни вещества от плочата, съгласно раздела за „Парно гладене“.

**БЕЛЕЖКА:** При първоначална употреба е нормално да излиза от уреда странна миризма. Това ще изчезне след кратък период от време.

**БЕЛЕЖКА:** Някои частици може да излязат от плочата при първоначална употреба. Това е нормално; частиците са безвредни и ще престанат да излизат след кратък период от време.

**БЕЛЕЖКА:** Когато включите уреда, парогенераторът може да започне да издава звук. Това е нормално; звукът означава, че водата се изпомва в парогенератора

**БЕЛЕЖКА:** Нормално е по време на загряващия процес на плочата, автоматично да излиза малко пара от нея като това ще продължи за около 3 секунди.

## КАК ДА ИЗПОЛЗВАТЕ ВАШАТА ПАРНА СИСТЕМА

Уредът има следната опция за гладене: сухо, вертикално или парно гладене, подробностите са посочени по-долу:

### Сухо гладене

1. Поставете парната система на стабилна и хоризонтална повърхност.
2. Свържете щепсела към контакта на стената, изберете от непрекъснатото заключване на бутона за пара (С) сухото гладене (без пара) и натиснете ключа за включване / изключване на захранването (Н).
3. Завъртете температурния превключвател (Е) до желаната от вас настройка, която зависи от тъканта на дрехата, след което индикаторът за температура ще светне. Погледнете „Таблица за гладене“ посочена по-долу. Ютията започва да се нагрива.
4. Избраната температура е достигната, когато индикаторът се изключи. Това означава, че може да започнете работа.

**ПРЕДУПРЕЖДЕНИЕ:** Никога не докосвайте горещата плоча преди да е изстинала!

## Вертикално гладене

Възможно е да се гладят висящи завеси и дрехи на закачалка и т.н. За да направите това:

1. Изберете максималната температура на ютията, като завъртите регулирането на температурата на ютията по посока на часовниковата стрелка (Фиг. 2).
2. Използвайте ютията отгоре надолу, като активирате бутона за постоянна пара (D).

**ВАЖНО:** Поставете гладачната плоча в контакт с тъканта - за памук и лен. Дръжте гладачната плоча на разстояние няколко сантиметра за други по-нежни материи.

## Гладене с пара

### Напълнете резервоара с вода

1. Уредът трябва да бъде изключен от захранващата мрежа.
2. Поставете уреда на стабилна и хоризонтална повърхност.
3. Извадете резервоара и го напълнете с вода (Фиг. 1 & Фиг. 2).
4. Максималният капацитет на резервоарът е 1,8L, нивото на водата не трябва да надвишава маркировката MAX.

### Гладене с пара

1. Препоръчваме да напълните резервоар за вода (A) преди гладене с пара.
2. Свържете щепсела към стенния контакт, натиснете надолу превключвателя за включване/изключване (H).
3. Индикаторът за захранване ще светне. Завъртете температурния превключвател на желаната от вас настройка, която зависи от тъканта на дрехата (фиг.3). След това индикаторът за нагриване ще светне (фиг. 4). Вижте СЪВЕТИ ЗА ГЛАДЕНЕ

ПОЗИЦИЯ НА РЕГУЛИРАНЕ НА ТЕМПЕРАТУРАТА	ВИД ПЛАТ	ПАРА
•	Найлон, коприна, синтетични влакна	НЕ
ЕСО	ЕСО	ДА
••	Вълна	ДА
•••	Памук	ДА

MAX	Лен	ДА
TURBO	Лен	ДА
SELF CLEAN	/	ДА
Off	/	НЕ
Антикапкова система: в резултат водата не тече при температурни настройки под ECO, където не се отделя пара.		

4. Изчакайте, докато светлинният индикатор за отопление (F) изгасне; това показва, че температурата на гладещата плоча е достигнала избраната температура.
5. Отключете (B) и извадете ютията.
6. Според вашите изисквания можете да изберете желаната изходна пара за всяка дреха. Уверете се, че има достатъчно вода в резервоара. Когато натиснете бутона за пара (D) за първи път, малко вода може да капе от гладещата плоча поради първоначална термична нестабилност.
7. За да получите постоянна струя пара, натиснете бутона за пара (D) или заключете контрола за пара (C) (Фиг. 5).
8. След това уредът ще бъде готов да започне гладенето. След това индикаторът за готовност на парата (G) (фиг.4) ще се включва и изключва автоматично, когато парата се използва. Понякога ще се чува и лек шум, който се причинява от помпата, която презарежда резервоара за вода. Продължете да гладите нормално.

**Внимание:** 1) Не докосвайте гореща гладеща плоча, преди да се охлади!  
2) Никога не насочвайте пара към хора!

9. След гладене натиснете бутона за включване/изключване за известно време и уредът ще се изключи, всички индикатори ще изгаснат. Извадете щепсела от контакта. Но гладещата плоча е все още гореща, никога не я докосвайте.
10. След като изстине, можете да поставите ютията върху термоизолиращата възглавница.

**Внимание:** По време на работа или след приключване на гладенето, никога не поставяйте горещата гладеща плоча върху която и да е област, освен върху топлоизолиращата възглавница.



## СМЯНА НА ФИЛТЪРА ПРОТИВ КОТЛЕН КАМЪК

Предупреждение: Изключете от електрическата мрежа, изчакайте около 60 мин., преди да поставите уреда на чисто и сухо място.

Следвайте тези стъпки за да смените филтъра:

- I. Отворете капачката на основата на изолационната подложка и извадете филтъра от резервоара за вода.
- II. Заменете го с нов, поставяйки го в резервоара за вода.
- III. Напълнете вода в резервоара за вода до ниво на пълнене MAX.

## СИСТЕМА ПРОТИВ КОТЛЕН КАМЪК

1. Филтърът е проектиран така, че да намали натрупването на варовик, който се получава по време на гладене с пара. Това ще удължи живота на вашата парна станция. Имайте предвид обаче, че филтърът няма да спре напълно естествения процес на натрупване на варовик.

2. Филтърът трябва да бъде заменен с нов след около 12 месеца употреба. Работният живот на филтъра зависи от вида на използваната местна вода. Ако превишите работния живот на филтъра, можете да продължите да използвате уреда, но в парната камера ще се натрупа вар. Предлага се възможно най-скоро да се замени с нов филтър.

## САМОПОЧИСТВАНЕ

**Внимание:** По време на този процес гореща вода, варовик и други частици ще излязат от гладещата плоча. Поставете гладещата плоча хоризонтално и поставете под нея съд за гореща вода.

**Внимание:** Функцията за самопочистване трябва да се повтори след 10 работни (гладени) часа, за да подобрите ефективността на парата и да удължите живота на бойлера на вашия продукт.

**Внимание:** Не гладете никакви дрехи по време на процедурата по самопочистване.

1. Чрез завъртане на настройката на температурата (E) по посока на часовниковата стрелка изберете ПОЧИСТВАНЕ. Активирайте бутона за заключване на пара (C).
2. Процесът ще приключи автоматично след 90 секунди, когато

предупредителният сигнал спре.

## НАМАЛЯНА НА ВАРОВИКА

Можете да намалите образуването на варовик, като използвате домакинския препарат за почистване на парогенератори SINGER CALC OUT (следвайте указанията на опаковката).

Можете да намерите SINGER CALC OUT в оторизираните сервизни центрове на SINGER.

## ПОЧИСТВАНЕ И ПОДДРЪЖКА

Преди почистване първо изключете електрическия контакт и оставете уреда да изстине.

1. Изпразнете бойлера над мивката и го изплакнете няколко пъти с чиста вода. Избършете люспите и всякакви други отлагания по гладещата плоча с влажна кърпа или неабразивен (течен) почистващ препарат.

**ЗАБЕЛЕЖКА:** Не използвайте химически, стоманени, дървени или абразивни почистващи препарати, за да изстържете гладещата плоча.

2. Почистете горната част на ютията с мека влажна кърпа. Избършете водните капки върху парогенератора и термоизолиращата възглавница със суха кърпа.
3. За да не повредите гладещата плоча, съветваме ви никога да не поставяте гладещата плоча върху метална повърхност. Почиствайте парогенератора след всеки 10 пъти употреба.
4. Когато не използвате уреда за дълго време, излейте водата в резервоара и съхранявайте ютията върху термоизолиращата възглавница.

## Видове вода за употреба

Можете да използвате нормална чешмяна вода, за да напълните резервоара. Ето защо, особено ако вашата чешмяна вода е много твърда, ви съветваме да я смесвате с дестилирана вода или да използвате само дестилирана вода. Съветваме ви да изпразните резервоара за вода след употреба.

Не добавяйте нищо към съдържанието на бойлера и не използвайте вода от сушилни за дрехи, ароматизирана или омекотена вода, вода от хладилници, батерии, климатици и дъждовна вода.

Те съдържат органични отпадъци или минерални елементи, които се концентрират при нагряване и причиняват кафяви петна или преждевременно износване на парогенератора. Използването на тези видове вода ще анулира гаранцията, предоставена с продукта.

## СЪВЕТИ ПРИ ГЛАДЕНЕ

- Винаги първо проверявайте дали към артикула има етикет с инструкции за гладене. При всички случаи следвайте тези инструкции за гладене.
- Ютията се нагрява по-бързо отколкото изстива; следователно, трябва да започнете да гладите артикулите, изискващи най-ниска температура, като тези от синтетични влакна.
- Ако тъканта се състои от различни видове влакна, винаги трябва да избирате най-ниската температура на гладене, за да изгладите състава на тези влакна.
- Коприната и други тъкани, които са лъскави, трябва да се гладят от вътрешната страна. Кадифе и други текстури, които бързо стават лъскави, трябва да се гладят в една посока с лек натиск. Дръжте ютията винаги в движение.
- Чистите вълнени тъкани (100% вълна) могат да се гладят с парната ютия. За предпочитане е да поставите копчето за температура на максимална позиция за вълна и да използвате суха кърпа като постелка.
- Никога не гладете върху цип, нитове в плата. Това ще повреди гладещата плоча. Гладете всеки друг предмет като този.

**ЗАБЕЛЕЖКА:** При гладене на вълнени тъкани може да се получи блясък на тъканта. Затова се препоръчва да обърнете артикула отвътре и да изгладите обратната страна.

ПРОБЛЕМИ	ПРИЧИНИ	СЪВЕТИ
Водата излиза от отворите на гладещата плоча, когато натиснете бутона за пара (D).	Регулиране на температурата на ютия (E) на минимум “●” “● ●”	Завъртете контрола на термостата на зоната на пара “● ● ●”
	Препълнен резервоар.	Махнете вода от резервоара.
По гладещата плоча се появява варовик	В резервоара има твърде много варовик	Почистете уреда.
Парата не излиза при натискане на бутона за пара (D)..	Резервоарът е празен.	Напълнете резервоарът
	Постоянен контрол на парата на долна позиция	Контрол на по-висока позиция
Когато се включи, от вътрешността на резервоара се чува някакъв шум.	Уредът е студен (шумовете са причинени от разширяване на резервоара).	Това е нормално. Ще спре след няколко минути.
 <p>Само от черните дупки ще излезе пара, когато уредът работи.</p>		



**Във връзка със стари електрически и електронни уреди (приложимо в Европейския съюз и други европейски страни с разделно събиране на отпадъци)**

Този знак, намиращ се върху уреда или опаковката му, означава ,че този продукт не трябва да бъде изхвърлен заедно с обикновените битови отпадъци, а трябва да бъде предаден в предназначения за тази цел пунктове за рециклиране. Правилното рециклиране помага за опазването на околната среда. За повече информация във връзка с рециклирането на продукта се обърнете към съответните служби във Вашето Кметство или Община.

### **ДЕКЛАРАЦИЯ ЗА СЪОТВЕТСТВИЕ**

С това „Сингер Аплайансес България“ ООД заявява, че този продукт отговаря на изискванията на по-долу изброените европейски директиви:

EMC директива: 2014/30 / EC

LVD - Директива за ниско напрежение: 2014/35 / EC

ROHS директива: 2011/65 / EC





# SINGER®

**G. E. DIMITRIOU S.A.**

1, KANAKIDI-Th. KOSMERIDI STR.,  
17676 KALITHEA, ATHENS-GREECE

T: +30 2119995800

**Γ. Ε. ΔΗΜΗΤΡΙΟΥ Α.Ε.Ε.**

Ξ. ΚΑΝΑΚΙΔΗ-Θ. ΚΟΣΜΕΡΙΔΗ 1,  
17676 ΚΑΛΛΙΘΕΑ, ΑΘΗΝΑ

T: +30 2119995800

**VELANIS APPLIANCES A.E.**

**ΣΕΡΒΙΣ & ΑΝΤΑΛΛΑΚΤΙΚΑ**

ΔΥΡΡΑΧΙΟΥ 62, 104 43 ΣΕΠΟΛΙΑ

T: 210 5135874, 210 5139517

**ВНОСИТЕЛ: "ОНПАРТС" ЕООД**

BG204408784

БУЛ. "ЧЕРНИ ВРЪХ" № 47,

СОФИЯ 1407, БЪЛГАРИЯ

02/9620444

[www.singer.gr](http://www.singer.gr)  
[www.singer.bg](http://www.singer.bg)